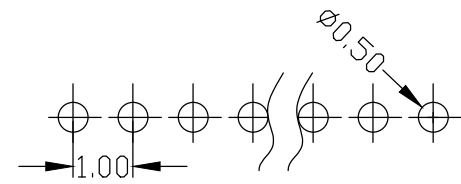
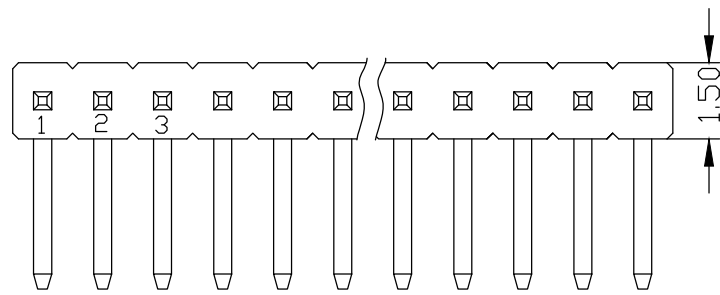
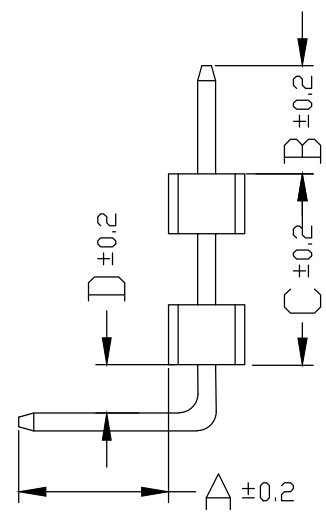
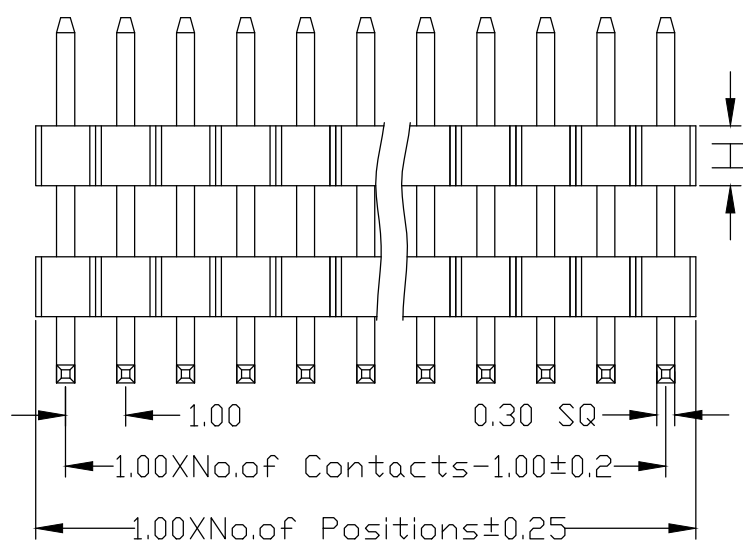


RoHS Compliant

| Rev. | change details | effective date | updated by | date |
|------|-----------------|----------------|------------|----------|
| A | Initial release | 2020.12.19 | FHY | 20.12.19 |



Recommended P.C.B. Layout



Std. Material
 Contact: Brass
 Contact Plating: 0.8u" Au over 30u" Ni Min.
 Insulator: PA6T(UL94V-0).
 Insulator Colour: Black

Temperature
 Operating Temp.: -40°C to 105°C
 Max. Processing Temp.: 260°C for 10s

Electronic Specifications
 Current Rating : 0.75 AMP
 Contact Resistance : 20mΩ Max.
 Insulation Resistance : 1000MΩ Min.
 Withstanding Voltage : AC 500V for 60s

Packing : PE bag

Ordering Information

| No. of Pins | Contact Plating | Insulator Material |
|---------------------|---|---|
| Rows*Pins 1 x 50 | SN: Tin <input type="checkbox"/> G0: 0.8u" Gold <input type="checkbox"/> G1: 1u" Gold <input type="checkbox"/> G2: 1.5u" Gold <input type="checkbox"/> G3: 2u" Gold <input type="checkbox"/> G4: 3u" Gold <input type="checkbox"/> G5: __u" Gold <input type="checkbox"/> | A: PBT <input type="checkbox"/> B: PA6T <input type="checkbox"/> C: PA9T <input type="checkbox"/> D: PA66 <input type="checkbox"/> E: PA46 <input type="checkbox"/> F: LCP <input type="checkbox"/> G: _____ <input type="checkbox"/> |

Ordering:(N)
 1X

Ordering Dimensions

| A | B | C | D | H | W |
|----|----|----|----|----|---|
| PA | PB | PC | PD | PW | L |

Remarks:

Dimension antitheses list

| ITEM | A | B | H | | C | D |
|-----------|-----|-----|-----|-----|-----|-----|
| Standard | 2.5 | 1.8 | 1.0 | 1.5 | 2.0 | 0.8 |
| Alternate | | | | | | |

UNLESS OTHERWISE STATED
 DIMENSIONS IN mm
 TOLERANCE:

| | |
|--------|-----------|
| LINEAR | X 0.5 |
| | X.X ±0.2 |
| | X.XX ±0.1 |

ANGLEAR ±1°

ORIGINALLY BY
 DRAWN: FHY
 CHECKED: FY
 APPROVED: FY
 DATE:2020.12.19



深圳市征华电子有限公司
 Shenzhen ZWON Electronics Co.,Ltd.

SERIES: PH1.0/Single Row/Right Angle

TYPICAL MODEL: 01.00mm 排针 单排 双塑 90度

| | | |
|---------------|----------|--------|
| Drawing No. | DRXXX-XX | |
| Scale | Revision | Sheet |
| FIT | A | 1 of 1 |
| ZWON P/N: | | |
| Customer P/N: | | |