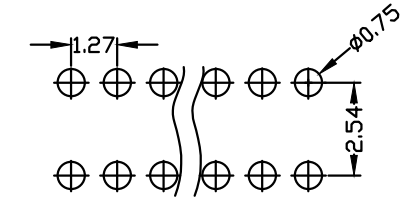
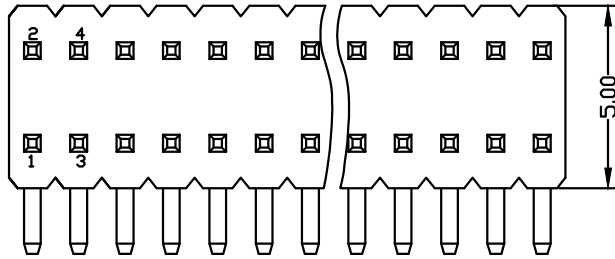
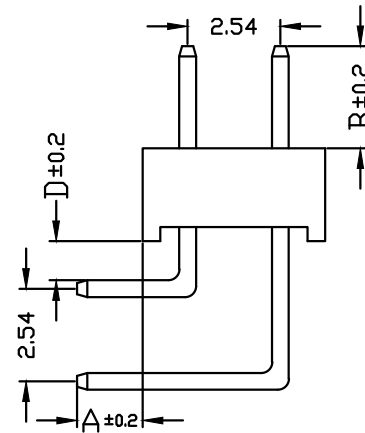
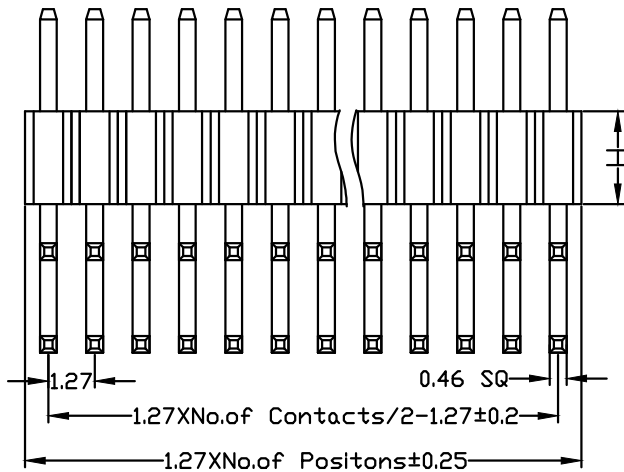


RoHS Compliant

| Rev. | change details  | effective date | updated by | date     |
|------|-----------------|----------------|------------|----------|
| A    | Initial release | 2020.12.19     | FHY        | 20.12.19 |



Recommended P.C.B. Layout



**Std. Material**

Contact: Brass  
 Contact Plating: 0.8u" Au over 30u" Ni Min.  
 Insulator: PA6T(UL94V-0).  
 Insulator Colour: Black

**Temperature**

Operating Temp.: -40°C to 105°C  
 Max. Processing Temp.: 260°C for 10s

**Electronic Specifications**

Current Rating : 1 AMP  
 Contact Resistance : 20mΩ Max.  
 Insulation Resistance : 1000MΩ Min.  
 Withstanding Voltage : AC 500V for 60s

**Packing** : PE bag or agree on \_\_\_\_\_

**Ordering Information**

| No. of Pins                                 | Contact Plating  | Insulator Material  |
|---|--|---|
| Rows*Pins<br>2 x 50                         | SN: Tin <input type="checkbox"/><br>G0: 0.8u" Gold <input type="checkbox"/><br>G1: 1u" Gold <input type="checkbox"/><br>G2: 1.5u" Gold <input type="checkbox"/><br>G3: 2u" Gold <input type="checkbox"/><br>G4: 3u" Gold <input type="checkbox"/><br>G5: ___u" Gold <input type="checkbox"/> | A: PBT <input type="checkbox"/><br>B: PA6T <input type="checkbox"/><br>C: PA9T <input type="checkbox"/><br>D: PA66 <input type="checkbox"/><br>E: PA46 <input type="checkbox"/><br>F: LCP <input type="checkbox"/><br>G: _____ <input type="checkbox"/> |
| Ordering:(N)<br>2X <input type="checkbox"/> |  |   |

**Ordering Dimensions**

| A  | B  | C  | D  | H  | W |
|----|----|----|----|----|---|
| PA | PB | PC | PD | PW | L |

Remarks:

| Dimension antitheses list |     |     |     |     |   |     |      |
|---------------------------|-----|-----|-----|-----|---|-----|------|
| ITEM                      | A   | B   | D   | H   |   |     |      |
| Standard                  | 1.8 | 2.8 | 2.8 | 6.0 | 0 | 1.2 | 2.54 |
| Alternate                 |     |     |     |     |   |     |      |

UNLESS OTHERWISE STATED  
 DIMENSIONS IN mm  
 TOLERANCE:

|         |      |      |
|---------|------|------|
| LINEAR  | X    | 0.5  |
| ANGLEAR | X.X  | ±0.2 |
|         | X.XX | ±0.1 |

ORIGINALLY BY  
 DRAWN: FHY  
 CHECKED: FY  
 APPROVED: FY  
 DATE:2020.12.19



深圳市征华电子有限公司  
 Shenzhen ZWON Electronics Co.,Ltd.

SERIES: PH1.27/Dual Row/Right Angle

TYPICAL MODEL: 1.27x2.54 双排针 90度

| Drawing No.   | DRXXX-XX |        |
|---------------|----------|--------|
| Scale         | Revision | Sheet  |
| FIT           | A        | 1 of 1 |
| ZWON P/N:     |          |        |
| Customer P/N: |          |        |