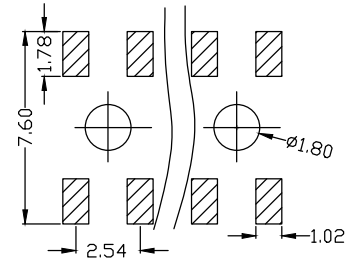
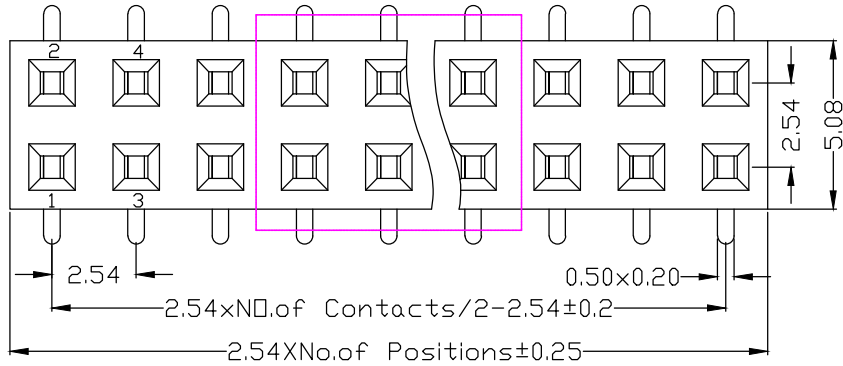


RoHS Compliant

Rev.	change details	effective date	updated by	date
A	Initial release	2020.12.19	FHY	20.12.19



Recommended P.C.B. Layout

Std. Material

Contact: Brass
 Contact Plating: 1u" Au over 30u" Ni Min.
 Insulator: PA6T(UL94V-0).
 Insulator Colour: Black

Temperature

Operating Temp.: -40°C to 105°C
 Max. Processing Temp.: 260°C for 10s

Electronic Specifications

Current Rating : 3 AMP
 Contact Resistance : 20mΩ Max.
 Insulation Resistance : 1000MΩ Min.
 Withstanding Voltage : AC 1000V for 60s

Packing : Tape&Reel or agree on _____

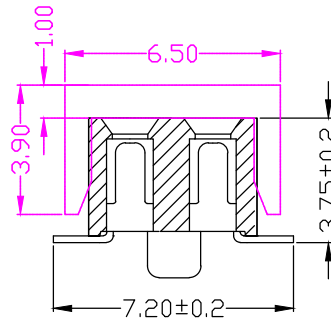
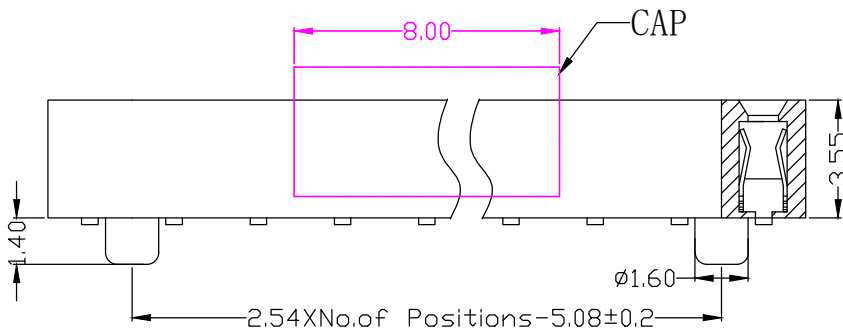
Ordering Information

No. of Pins	Contact Plating	Insulator Material
Rows*Pins 2 x 40	SN: Tin <input type="checkbox"/> G0: 0.8u" Gold <input type="checkbox"/> G1: 1u" Gold <input type="checkbox"/> G2: 1.5u" Gold <input type="checkbox"/> G3: 2u" Gold <input type="checkbox"/> G4: 3u" Gold <input type="checkbox"/> G5: __u" Gold <input type="checkbox"/>	A: PBT <input type="checkbox"/> B: PA6T <input type="checkbox"/> C: PA9T <input type="checkbox"/> D: PA66 <input type="checkbox"/> E: PA46 <input type="checkbox"/> F: LCP <input type="checkbox"/> G: _____ <input type="checkbox"/>
Ordering:(N) 2 X <input type="checkbox"/>		

Ordering Dimensions

A	B	C	D	H	W
PA	PB	PC	PD	PW	L

Remarks:



UNLESS OTHERWISE STATED		ORIGINALLY BY
DIMENSIONS IN mm		DRAWN: FHY
TOLERANCE:		CHECKED: FY
ANGLEAR ±1°	LINEAR	APPROVED: FY
	X 0.5	DATE:2020.12.19
	X.X ±0.2	
	X.XX ±0.1	



深圳市征华电子有限公司
 Shenzhen ZWON Electronics Co.,Ltd.



SERIES: FH2.54*3.55/Dual Row/Straight

TYPICAL 2.54mm双排母 塑高3.55
 MODEL: SMT带柱 U型

Drawing No.	DRXXX-XX	
Scale	Revision	Sheet
FIT	A	1 of 1
ZWON P/N:		
Customer P/N:		