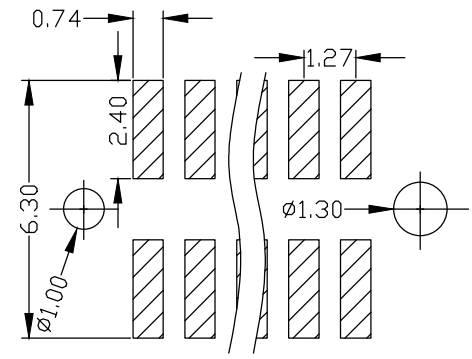
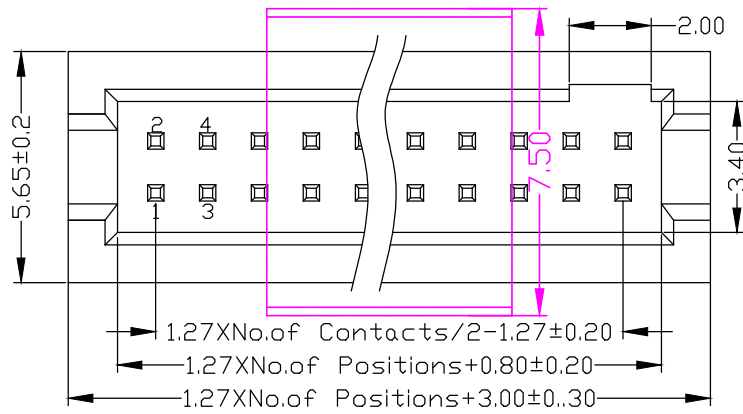
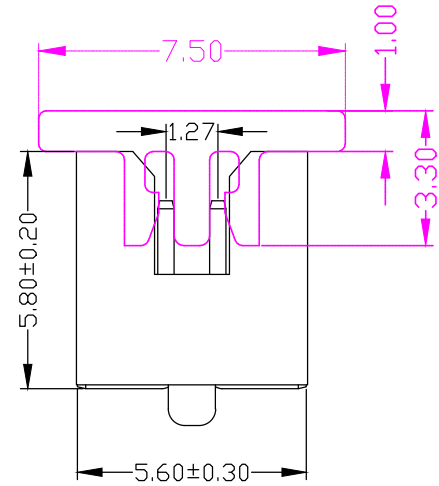
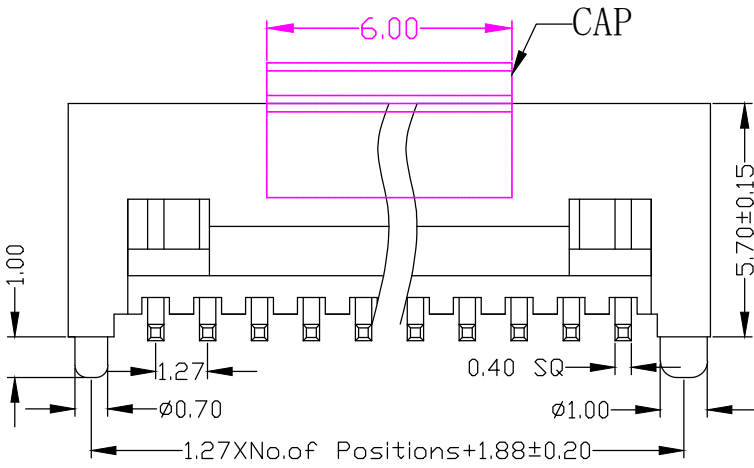


RoHS Compliant

Rev.	change details	effective date	updated by	date
A	Initial release	2020.12.19	FHY	20.12.19



Recommended P.C.B. Layout



Std. Material
 Contact: Brass
 Contact Plating: 0.8u" Au over 30u" Ni Min.
 Insulator: PA6T(UL94V-0).
 Insulator Colour: Black

Temperature
 Operating Temp.: -40°C to 105°C
 Max. Processing Temp.: 260°C for 10s

Electronic Specifications
 Current Rating : 1 AMP
 Contact Resistance : 20mΩ Max.
 Insulation Resistance : 1000MΩ Min.
 Withstanding Voltage : AC 1000V for 60s
Packing : Tape&Reel or agree on _____

Ordering Information

No. of Pins	Contact Plating	Insulator Material
Rows*Pins	SN: Tin <input type="checkbox"/>	A: PBT <input type="checkbox"/>
2 x 50	G0: 0.8u" Gold <input type="checkbox"/>	B: PA6T <input type="checkbox"/>
Ordering:(N)	G1: 1u" Gold <input type="checkbox"/>	C: PA9T <input type="checkbox"/>
2 X <input type="checkbox"/>	G2: 1.5u" Gold <input type="checkbox"/>	D: PA66 <input type="checkbox"/>
	G3: 2u" Gold <input type="checkbox"/>	E: PA46 <input type="checkbox"/>
	G4: 3u" Gold <input type="checkbox"/>	F: LCP <input type="checkbox"/>
	G5: __u" Gold <input type="checkbox"/>	G: _____ <input type="checkbox"/>

Ordering Dimensions

A	B	C	D	H	W
PA	PB	PC	PD	PW	L

Remarks:

UNLESS OTHERWISE STATED DIMENSIONS IN mm TOLERANCE:	ORIGINALLY BY	
	DRAWN: FHY	
	CHECKED: FY	
	APPROVED: FY	
DATE: 2020.12.19		发现更多

深圳市征华电子有限公司
 Shenzhen ZWON Electronics Co.,Ltd.
 SERIES: BH1.27*5.7/Dual Row/SMT
 TYPICAL MODEL: 1.27mm 筒牛 塑高5.7 SMT 带大小柱

Drawing No.	DRXXX-XX	
Scale	Revision	Sheet
FIT	A	1 of 1
ZWON P/N:		
Customer P/N:		