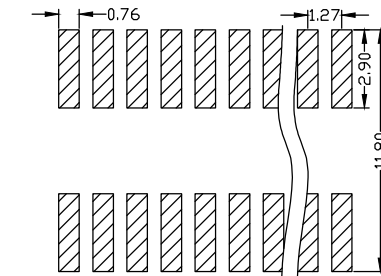
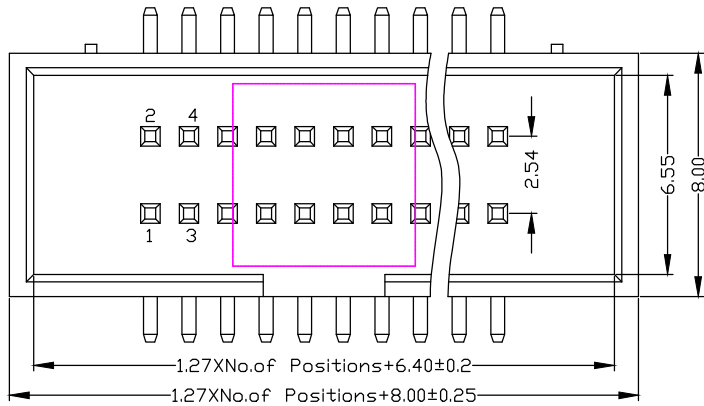


RoHS Compliant

| Rev. | change details | effective date | updated by | date |
|------|-----------------|----------------|------------|----------|
| A | Initial release | 2020.12.19 | FHY | 20.12.19 |

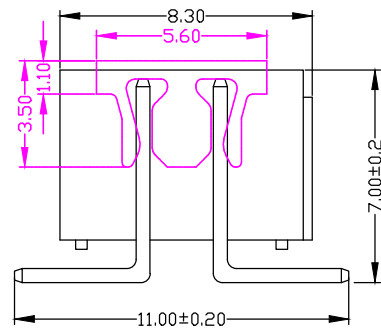
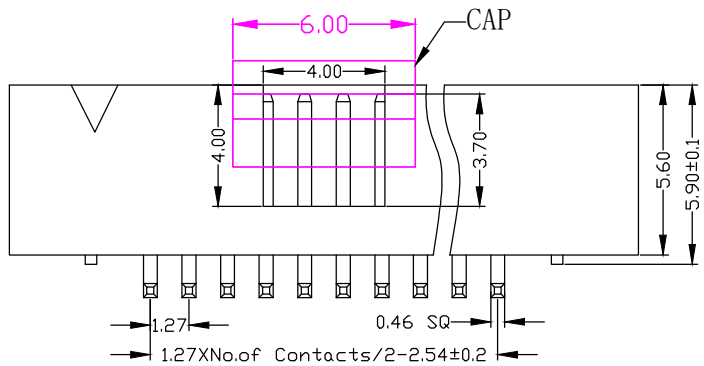


Recommended P.C.B. Layout

Std. Material
 Contact: Brass
 Contact Plating: 0.8u" Au over 30u" Ni Min.
 Insulator: PA6T(UL94V-0).
 Insulator Colour: Black

Temperature
 Operating Temp.: -40°C to 105°C
 Max. Processing Temp.: 260°C for 10s

Electronic Specifications
 Current Rating : 1 AMP
 Contact Resistance : 20mΩ Max.
 Insulation Resistance : 1000MΩ Min.
 Withstanding Voltage : AC 1000V for 60s
Packing : Tray or agree on _____



Ordering Information

| No. of Pins | Contact Plating | Insulator Material |
|---------------------|--|---|
| Rows*Pins 2 x 50 | SN: Tin <input type="checkbox"/> G0: 0.8u" Gold <input type="checkbox"/> G1: 1u" Gold <input type="checkbox"/> G2: 1.5u" Gold <input type="checkbox"/> G3: 2u" Gold <input type="checkbox"/> G4: 3u" Gold <input type="checkbox"/> G5: ___u" Gold <input type="checkbox"/> | A: PBT <input type="checkbox"/> B: PA6T <input type="checkbox"/> C: PA9T <input type="checkbox"/> D: PA66 <input type="checkbox"/> E: PA46 <input type="checkbox"/> F: LCP <input type="checkbox"/> G: _____ <input type="checkbox"/> |

Ordering Dimensions

| A | B | C | D | H | W |
|----|----|----|----|----|---|
| PA | PB | PC | PD | PW | L |

Remarks:

| | | |
|---|---------------------------------------|-----------------|
| UNLESS OTHERWISE STATED DIMENSIONS IN mm TOLERANCE: | ORIGINALLY BY | ZWON |
| | DRAWN: FHY | |
| | CHECKED: FY | |
| | APPROVED: FY | |
| ANGLEAR ±1° | LINEAR X 0.5 X.X ±0.2 X.XX ±0.1 | DATE:2020.12.19 |



深圳市征华电子有限公司
 Shenzhen ZWON Electronics Co.,Ltd.

SERIES: BH1.27*2.54*5.9/SMT

TYPICAL MODEL: 1.27x2.54 筒牛 塑高5.9 SMT

| | | |
|---------------|----------|--------|
| Drawing No. | DRXXX-XX | |
| Scale | Revision | Sheet |
| FIT | A | 1 of 1 |
| ZWON P/N: | | |
| Customer P/N: | | |