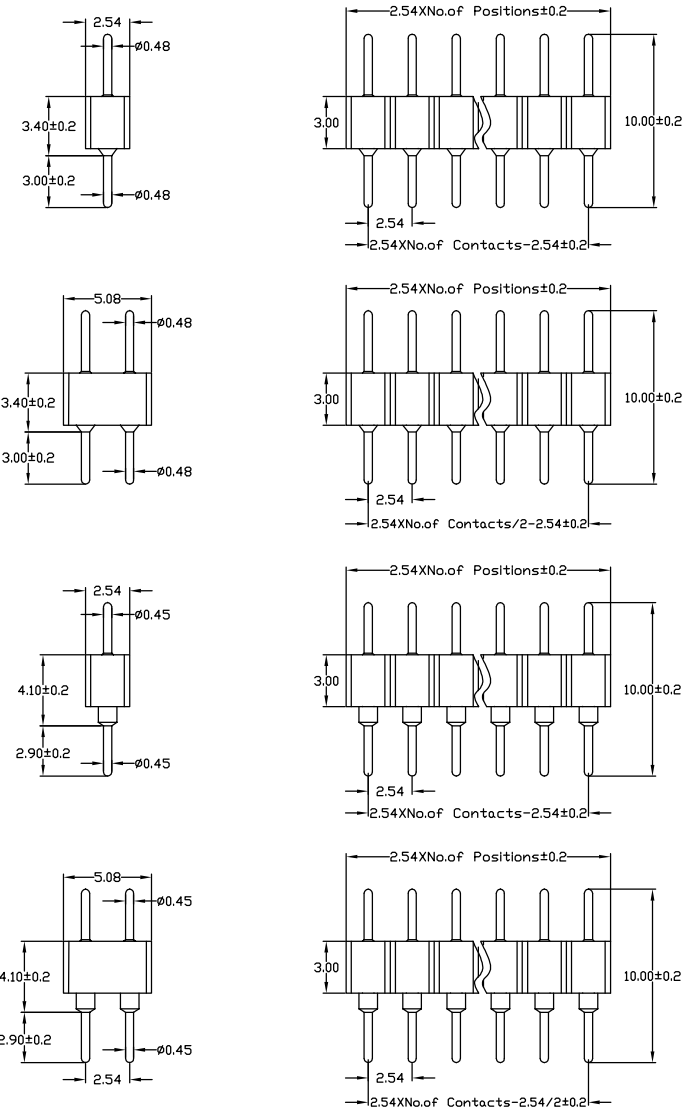


RoHS Compliant

Rev.	change details	effective date	updated by	date
A	Initial release	2020.12.19	FHY	20.12.19



Straight pin connector ultralow profile height 3.0mm: solder tail single row
Availability from: 1 to 40 contacts
Standard number of contacts 5, 6, 8, 9, 10, 11, 12, 14, 16, 17, 20, 25, 32 and 40

Straight pin connector ultralow profile height 3.0mm: solder tail double row
Availability from: 2 to 80 contacts
Standard number of contacts 20, 56 60 and 72

Straight pin connector height 4.1mm: solder tail, single row
Availability from: 1 to 40 contacts
Standard number of contacts 5, 6, 8, 9, 10, 11, 12, 14, 16, 17, 20, 25, 30, 32 and 40

Straight pin connector height 4.1mm: solder tail, double row
Availability from: 2 to 80 contacts
Standard number of contacts 20, 56 60 and 72

Std. Material
Insulator : Black glass filled polyester PPS-GF30-FR
Flammability : UL94V-0
Sleeve : Brass CuZn 36Pb3(36000)
Mating pin ϕ : 0.45 mm/0.48mm
Mechanical life : min 500 cycles
Rated current : 3Amp
Contact resistance: Max 10m Ω
Dielectric resistance : Min 1000V_{RMS}

Temperature
Operating Temp. : -40 $^{\circ}$ C to 105 $^{\circ}$ C
Max. Processing Temp.: 260 $^{\circ}$ C for 10s
Packing : Tray or agree on _____

Ordering Information

No. of Pins	Contact Plating	Insulator Material
Rows*Pins 1/2 x 40	SN: Tin <input type="checkbox"/> G0: 0.8u" Gold <input type="checkbox"/> G1: 1u" Gold <input type="checkbox"/> G2: 1.5u" Gold <input type="checkbox"/> G3: 2u" Gold <input type="checkbox"/> G4: 3u" Gold <input type="checkbox"/> G5: ___u" Gold <input type="checkbox"/>	A: PBT <input type="checkbox"/> B: PA6T <input type="checkbox"/> C: PA9T <input type="checkbox"/> D: PA66 <input type="checkbox"/> E: PA46 <input type="checkbox"/> F: LCP <input type="checkbox"/> G: _____ <input type="checkbox"/>
Ordering:(N) 1/2 X <input type="text"/>		

Ordering Dimensions

A	B	C	D	H	W
PA	PB	PC	PD	PW	L

Remarks:

UNLESS OTHERWISE STATED DIMENSIONS IN mm TOLERANCE:	ORIGINALLY BY
	DRAWN: FHY
	CHECKED: FY
	APPROVED: FY
	DATE: 2020.12.19



深圳市征华电子有限公司
Shenzhen ZWON Electronics Co.,Ltd.



SERIES: Round PH2.54*3.0/Straight
TYPICAL MODEL: 2.54圆孔排针 塑高3.0 180度 L=10.0

Drawing No.	DRXXX-XX
Scale	Revision
FIT	A
Sheet	1 of 1
ZWON P/N:	
Customer P/N:	