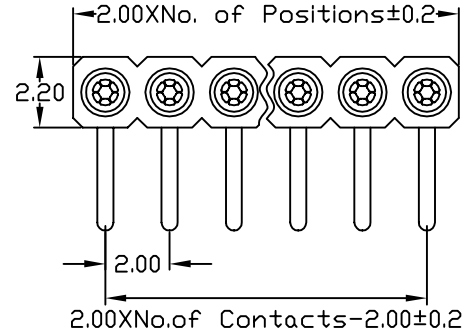
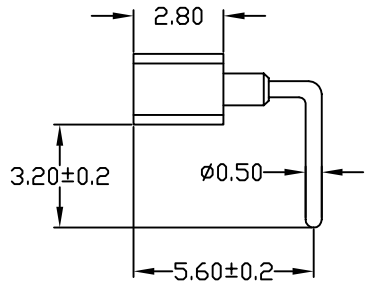


RoHS Compliant

Rev.	change details	effective date	updated by	date
A	Initial release	2020.12.19	FHY	20.12.19



Right socket connector:solder tail single row
Availability from:2 to 40 contacts
Standard number of contacts 40

Std. Material
Insulator : Black glass filled polyester PPS-GF30-FR
Flammability : UL94V-0
Sleeve : Brass CuZn 36Pb3(36000)
Contact cilp (6 finger) : Beryllium copper (C17200)
Mating pin ϕ : 0.40 to 0.66 mm or 0.50SQ
Forces : (polished steel gauge ϕ 0.46mm)
-Insertion : 0.7 N typ.
-Withdrawal : 0.4N typ.
Mechanical life : min 500 cycles
Rated current : 3Amp
Contact resistance: Max 10m Ω
Dielectric resistance : Min 1000V_{RMS}

Temperature
Operating Temp. : -40 $^{\circ}$ C to 105 $^{\circ}$ C
Max. Processing Temp.: 260 $^{\circ}$ C for 10s
Packing : PE bag or agree on_____

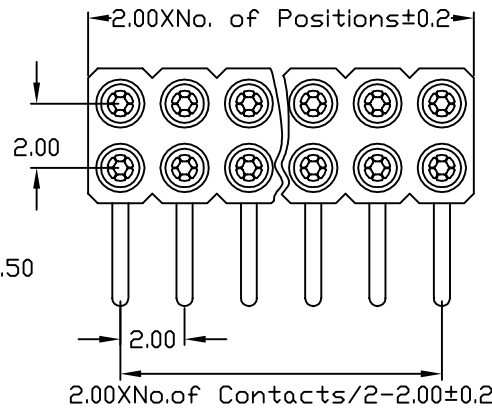
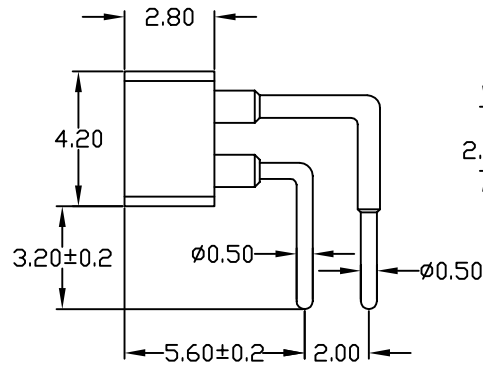
Ordering Information

No. of Pins	Contact Plating	Insulator Material
Rows*Pins 1/2 x 40	SN: Tin <input type="checkbox"/> G0: 0.8u" Gold <input type="checkbox"/> G1: 1u" Gold <input type="checkbox"/> G2: 1.5u" Gold <input type="checkbox"/> G3: 2u" Gold <input type="checkbox"/> G4: 3u" Gold <input type="checkbox"/> G5: ___u" Gold <input type="checkbox"/>	A: PBT <input type="checkbox"/> B: PA6T <input type="checkbox"/> C: PA9T <input type="checkbox"/> D: PA66 <input type="checkbox"/> E: PA46 <input type="checkbox"/> F: LCP <input type="checkbox"/> G: _____ <input type="checkbox"/>

Ordering Dimensions

A	B	C	D	H	W
PA	PB	PC	PD	PW	L

Remarks:



Right socket connector:solder tail double row
Availability from:4 to 80 contacts
Standard number of contacts 80

UNLESS OTHERWISE STATED		ORIGINALLY BY
DIMENSIONS IN mm		DRAWN: FHY
TOLERANCE:		CHECKED: FY
ANGLEAR $\pm 1^{\circ}$	LINEAR	APPROVED: FY
	X 0.5	DATE:2020.12.19
	X.X ± 0.2	
	X.XX ± 0.1	



深圳市征华电子有限公司
Shenzhen ZWON Electronics Co.,Ltd.
S SERIES: Round FH2.0*2.8/Right Angle
TYPICAL MODEL: 2.0圆孔排母 塑高2.8 90度

Drawing No.	DRXXX-XX	
Scale	Revision	Sheet
FIT	A	1 of 1
ZWON P/N:		
Customer P/N:		