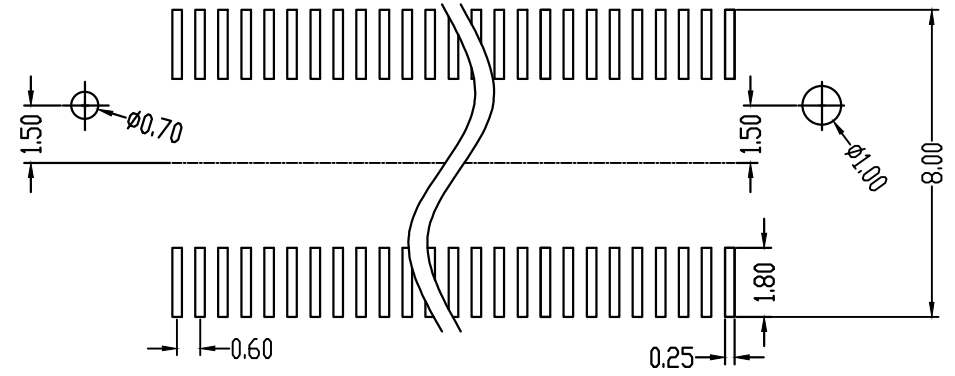
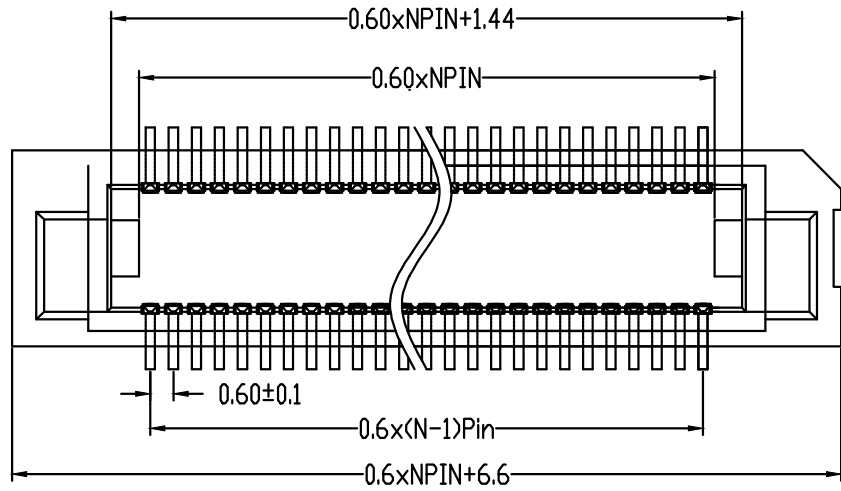
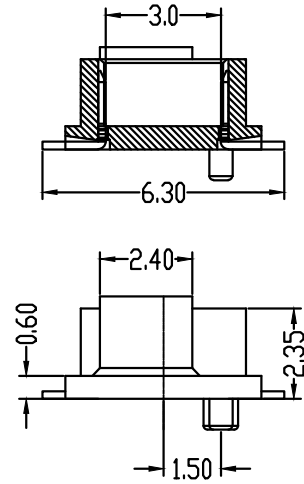
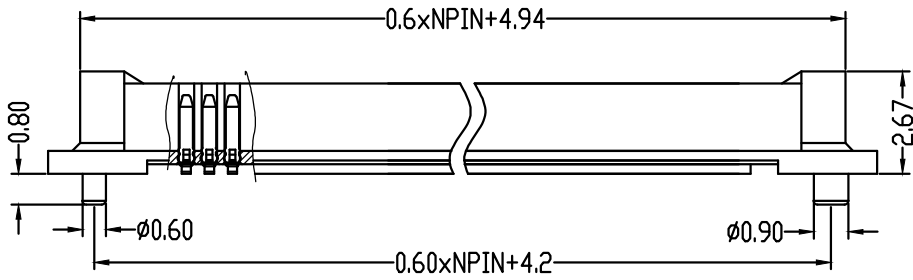


RoHS Compliant

Rev.	change details	effective date	updated by	date
A	Initial release	2020.12.19	FHY	20.12.19




Recommended P.C.B. Layout



SPECIFICATIONS
PERFORMANCE
 Electrical Rating: AC/DC 50V 0.5A
 Insulation Resistance: 500MΩ
 Withstand Volt: 200V AC/minute
 Operating Temperature: -25° to +85°

Material:
 Contact: Phosphor Bronze
 Gold-Plated
 Housing: LCP

UNLESS OTHERWISE STATED DIMENSIONS IN mm TOLERANCE:	ORIGINALLY BY	 深圳市征华电子有限公司 Shenzhen ZWON Electronics Co.,Ltd. 发现更多 扫描官网
	DRAWN: FHY	
	CHECKED: FY	
	APPROVED: FY	
DATE: 2020.12.19		
ANGULAR ±1°	LINEAR X 0.5 X.X ±0.2 X.XX ±0.1	

深圳市征华电子有限公司
 Shenzhen ZWON Electronics Co.,Ltd.
 SERIES: 0.60 BTB/Female/Single Slot/SMT
 TYPICAL MODEL: 0.60mm BTB 母头 单槽 台高2.88 SMT 带大小柱

Drawing No.	DRXXX-XX	
Scale	Revision	Sheet
FIT	A	1 of 1
ZWON P/N:		
Customer P/N:		