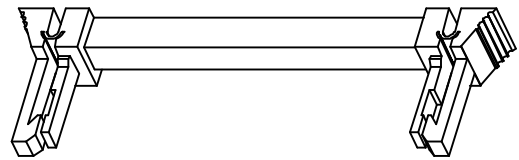
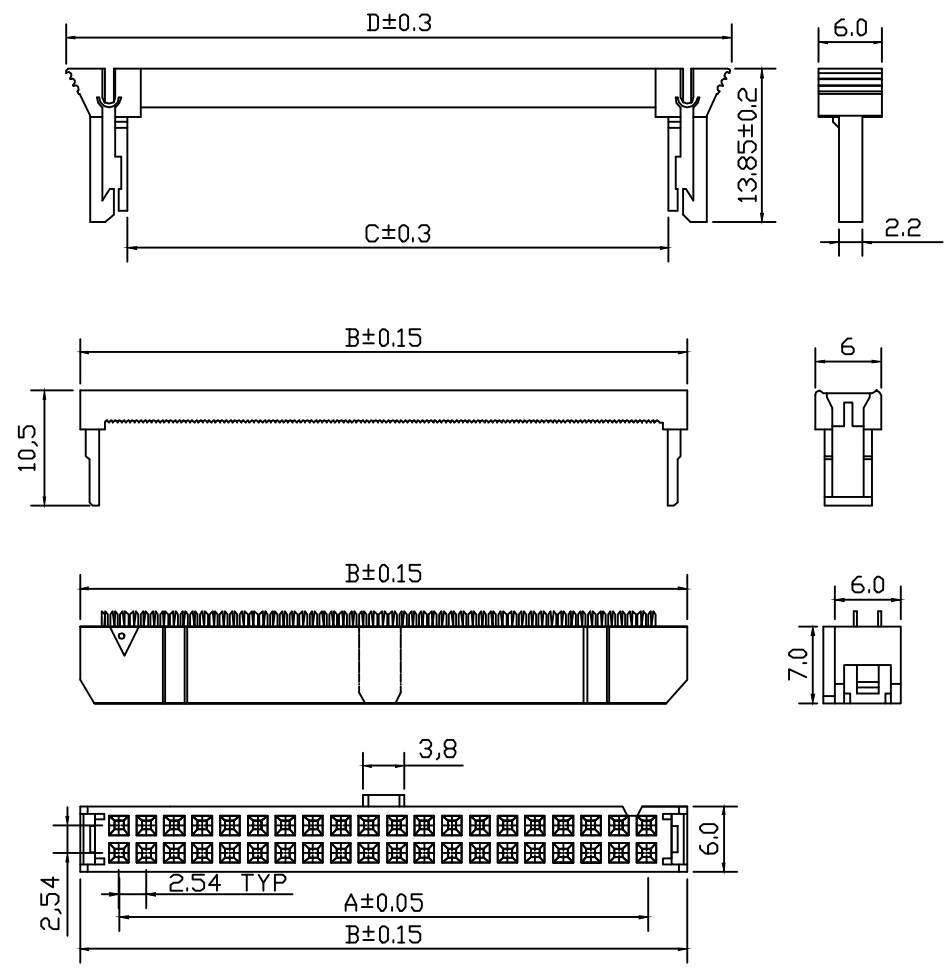


RoHS Compliant

Rev.	change details	effective date	updated by	date
A	Initial release	2020.12.19	FHY	20.12.19



Recommended P.C.B. Layout



**Std. Material**  
 Contact: Brass  
 Contact Plating: 0.8u" Au over 30u" Ni Min.  
 Insulator: PBT(UL94V-0).  
 Insulator Colour: Black

**Temperature**  
 Operating Temp.: -40°C to 105°C  
 Max. Processing Temp.: 140°C

**Electronic Specifications**  
 Current Rating : 3 AMP  
 Contact Resistance : 20mΩ Max.  
 Insulation Resistance : 1000MΩ Min.  
 Withstanding Voltage : AC 1000V for 60s  
**Packing** : Tray or agree on \_\_\_\_\_

**Ordering Information**

No. of Pins	Contact Plating	Insulator Material
Rows*Pins 2 x 40	SN: Tin <input type="checkbox"/> G0: 0.8u" Gold <input type="checkbox"/> G1: 1u" Gold <input type="checkbox"/> G2: 1.5u" Gold <input type="checkbox"/> G3: 2u" Gold <input type="checkbox"/> G4: 3u" Gold <input type="checkbox"/> G5: ___u" Gold <input type="checkbox"/>	A: PBT <input type="checkbox"/> B: PA6T <input type="checkbox"/> C: PA9T <input type="checkbox"/> D: PA66 <input type="checkbox"/> E: PA46 <input type="checkbox"/> F: LCP <input type="checkbox"/> G: _____ <input type="checkbox"/>

**Ordering Dimensions**

A	B	C	D	H	W
PA	PB	PC	PD	PW	L

PART NO	A	B	C	D
6P	5.08	12.32	9.0	22.1
8P	7.62	14.86	11.54	24.64
10P	10.16	17.40	14.08	27.18
12P	12.7	19.94	16.62	29.72
14P	15.24	22.48	19.16	32.26
16P	17.78	25.02	21.70	34.80
20P	22.86	30.10	26.78	39.88
24P	27.94	35.18	31.86	44.96
26P	30.48	37.72	34.40	47.50
30P	35.56	42.80	39.48	52.58
34P	40.64	47.88	44.56	57.66
40P	48.26	55.5	52.18	65.28
50P	60.96	68.20	64.88	77.98
60P	73.66	80.90	77.58	90.68
64P	78.74	85.98	82.66	95.76

UNLESS OTHERWISE STATED  
 DIMENSIONS IN mm  
 TOLERANCE:

ANGULAR	LINEAR	ORIGINAL BY
±1°	X 0.5	ZWON
	X.X ±0.2	DRAWN: FHY
	X.XX ±0.1	CHECKED: FY
		APPROVED: FY
		DATE:2020.12.19

扫描官网 发现更多

**深圳市征华电子有限公司**  
 Shenzhen ZWON Electronics Co.,Ltd.

Drawing No. DRXXX-XX  
 Scale: FIT, Revision: A, Sheet: 1 of 1

SERIES: IDC 2.54\*7.0/Three-piece/Butterfly  
 TYPICAL: 2.54 IDC 塑高7.0 弹片式 三件式  
 MODEL: 蝴蝶扣