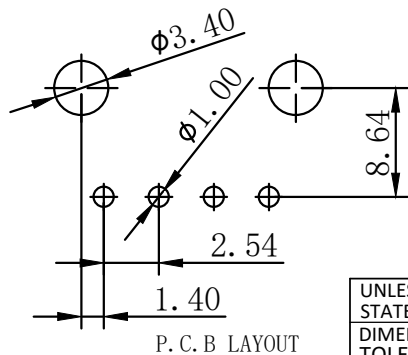
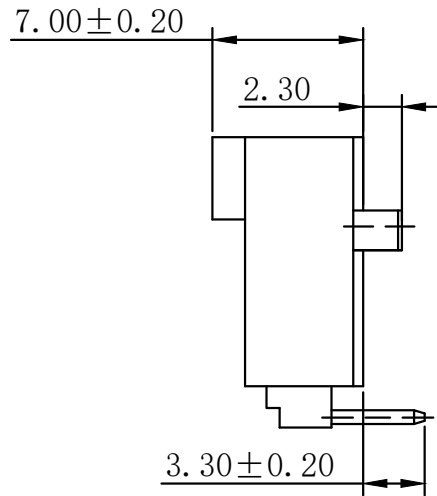
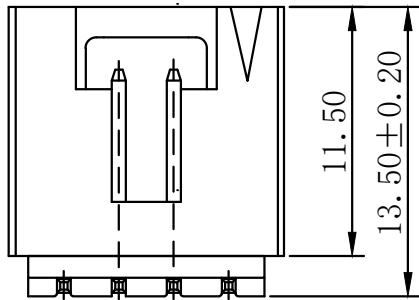
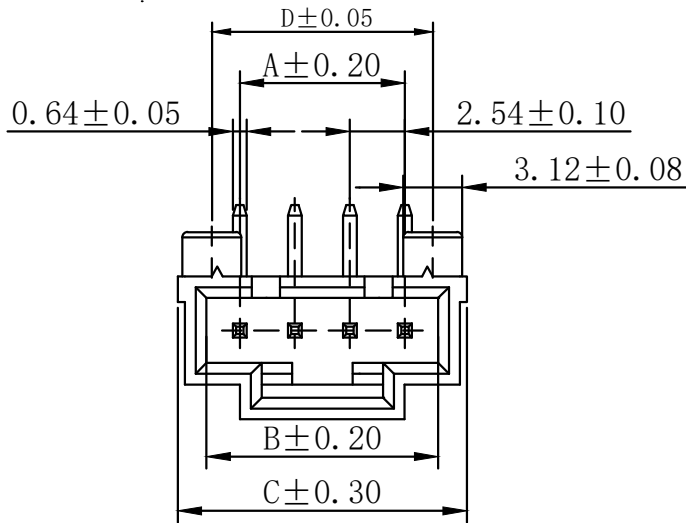


RoHS Compliant

Rev.	change details	effective date	updated by	date
A	Initial release	2020.12.19	FHY	20.12.19



■ SPECIFICATIONS

- Voltage rating: 250V AC, DC
- Current rating: 3A, AC, DC
- Withstanding Voltage: 1500V AC/minute
- Insulation resistance: 1000MΩ min
- Temperature range: -25° C ~ +85° C
- Contact resistance: 20mΩ max

■ WAFER

- Part No. :
- Poles : 02-12
- Material: PA9T UL94V-0 Black
- Pin Material: Brass /Gold-flash

PART NO.	Dimensions (mm)			
	A	B	C	D
02	2.54	5.58	8.89	5.33
03	5.08	8.13	11.43	7.87
04	7.62	10.67	13.97	10.41
05	10.16	13.21	16.51	12.95
06	12.70	15.75	19.05	15.49
07	15.24	18.29	21.59	18.03
08	17.78	20.83	24.13	20.57
09	20.32	23.37	26.67	23.11
10	22.86	25.91	29.21	25.65
11	25.40	28.45	31.75	28.19
12	27.94	30.99	34.29	30.73

UNLESS OTHERWISE STATED		ORIGINALLY BY
DIMENSIONS IN mm		DRAWN: FHY
TOLERANCE:		CHECKED: FY
ANGLEAR ±1°	LINEAR	APPROVED: FY
	X 0.5	DATE: 2020.12.19
	X.X ±0.2	
	X.XX ±0.1	



深圳市征华电子有限公司
Shenzhen ZWON Electronics Co.,Ltd.

SERIES: 2.54 Wafer/Right Angle

TYPICAL MODEL: 2.54 Wafer 90度 Type2

Drawing No.	DRXXX-XX	
Scale	Revision	Sheet
FIT	A	1 of 1
ZWON P/N:		
Customer P/N:		