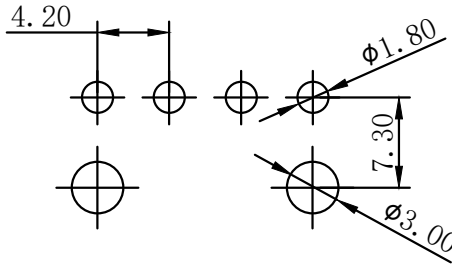
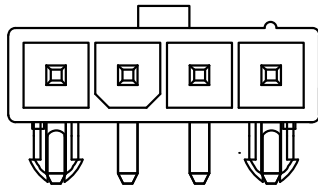


RoHS Compliant

Rev.	change details	effective date	updated by	date
A	Initial release	2020.12.19	FHY	20.12.19



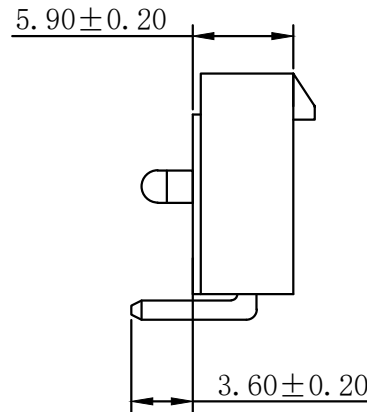
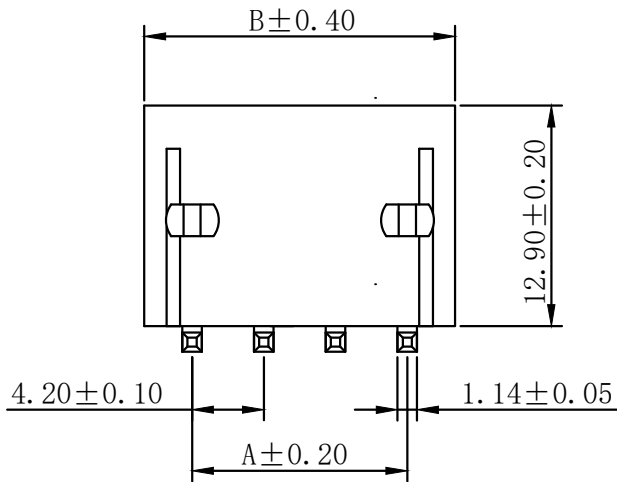
P. C. B LAYOUT

■ SPECIFICATIONS

- Voltage rating: 250V AC, DC
- Current rating: 7A, AC, DC
- Withstanding Voltage: 1500V AC/minute
- Insulation resistance: 1000MΩ min
- Temperature range: -25° C~+85° C
- Contact resistance: 10mΩ max

■ WAFER

- Part No.: W4202RD-NP
- Poles : 02-06
- Material: Nylon 66 UL94V-2
- Pin Material: Brass /Tin-plated



PART NO.	Dimensions (mm)	
	A	B
02	4.20	9.80
03	8.40	14.00
04	12.60	18.20
05	16.80	22.40
06	21.00	26.60

UNLESS OTHERWISE STATED		ORIGINALLY BY
DIMENSIONS IN mm		DRAWN: FHY
TOLERANCE:		CHECKED: FY
ANGLEAR ±1°	LINEAR	APPROVED: FY
	X 0.5	DATE: 2020.12.19
	X.X ±0.2	
	X.XX ±0.1	

**ZWON**



深圳市征华电子有限公司  
Shenzhen ZWON Electronics Co.,Ltd.

SERIES: 4.2 Wafer/Right Angle

TYPICAL MODEL: 4.2 Wafer 90度 Type1

Drawing No.	DRXXX-XX	
Scale	Revision	Sheet
FIT	A	1 of 1
ZWON P/N:		
Customer P/N:		